

**YX7013-40V, 150mA, Low Quiescent Current LDO with EN Pin****1 Features**

- 3.5V to 40V Input Range
- 1.7 $\mu$ A Shutdown Supply Current
- 25 $\mu$ A Quiescent Supply Current
- Stable with low-value output ceramic capacitor ( $\geq 0.47\mu$ F)
- 150mA specified current
- Output  $\pm 1.5\%$  Accuracy
- Specified current limit
- Thermal Shutdown
- $-40^{\circ}\text{C}$  to  $+125^{\circ}\text{C}$  Specified Junction Temperature Range
- Available in DFN8 (3mmx3mm) Package

**2 Applications**

- Industrial/Automotive Applications
- Portable/Battery-Powered Equipment
- Ultra-Low Power Microcontrollers
- Cellular Handsets
- Medical Imaging

**3 Description**

The YX7013 is a high voltage linear regulator that supplies power to systems with high voltage input. It includes a wide 3.5V to 40V input range, low dropout voltage and low quiescent supply current. The low quiescent current and low dropout voltage enables operations at extremely low power levels. Therefore, the YX7013 is ideal for low power microcontrollers and the battery-powered electronic devices.

The regulator output current is internally limited and the device is protected against over-load, output short and over-temperature conditions.

The YX7013 also includes thermal shutdown and current limiting fault protection, and is available in DFN8 (3mmx3mm) package.

[Ordering Information](#) appears at page2 of datasheet.

**4 Device Information**

PART NUMBER	PACKAGE	BODY SIZE (NOM)
YX7013AAEAG	DFN8	3mmX3mm

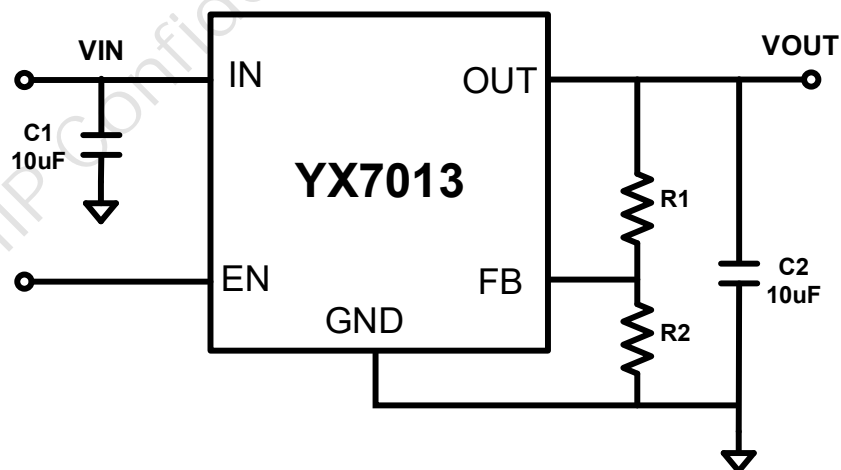
**5 Typical Application**

Figure 1. Typical Application